

### SPECIFICATIONS

#### PRODUCT SPECIFICATIONS

Stainless Steel 24" x 20-1/4" x 27-3/4" Wall Hung Lavatory Sink Kit with Enclosure. Sink is manufactured from 14 gauge 304 Stainless Steel with a Buffed Satin finish, Center drain placement, and Bottom only pads.

<b>Material:</b>	304 Stainless Steel
<b>Finish:</b>	Buffed Satin
<b>Gauge:</b>	14
<b>Sound Deadening:</b>	Bottom only pads
<b>Number of Bowls:</b>	1
<b>Sink Dimensions:</b>	24" x 20-1/4" x 27-3/4"
<b>Bowl 1 Dimensions:</b>	15-1/2" x 11-3/8" x 4-1/2"
<b>Drain Size:</b>	1-5/8" (41mm)
<b>Drain Location:</b>	Center

**Included with Product:** LKF296,  
LKB721C,  
LK723,  
JADA115FS

Quality Grade Plumbing Products.  
Since 1933 we have become the industry standard for designing and producing quality grade plumbing products and fixtures. Our role as an industry leader remains unsurpassed.



**Product Compliance:** ADA & ICC A117.1  
ASME A112.19.3/CSA B45.4

**Faucet:** NSF 372 (lead free)  
ASME A112.18.1/CSA B125.1  
NSF 61

**Accessory:** ASSE 1069  
ASSE 1070  
ASSE 1017  
NSF 372 (lead free)  
ASME A112.18.2/CSA B125.2



Sinks are listed by IAPMO® as meeting the applicable requirements of the Uniform Plumbing Code®, International Plumbing Code®, and National Plumbing Code of Canada.



Complies with ADA & ICC A117.1 accessibility requirements when installed according to the requirements outlined in these standards.

[Clean and Care Manual \(PDF\)](#)  
[Installation Instructions \(PDF\) - 2000000893](#)  
[Installation Instructions \(PDF\) - 74180001](#)  
[Warranty \(PDF\)](#)

PART: \_\_\_\_\_ QTY: \_\_\_\_\_

PROJECT: \_\_\_\_\_

CONTACT: \_\_\_\_\_

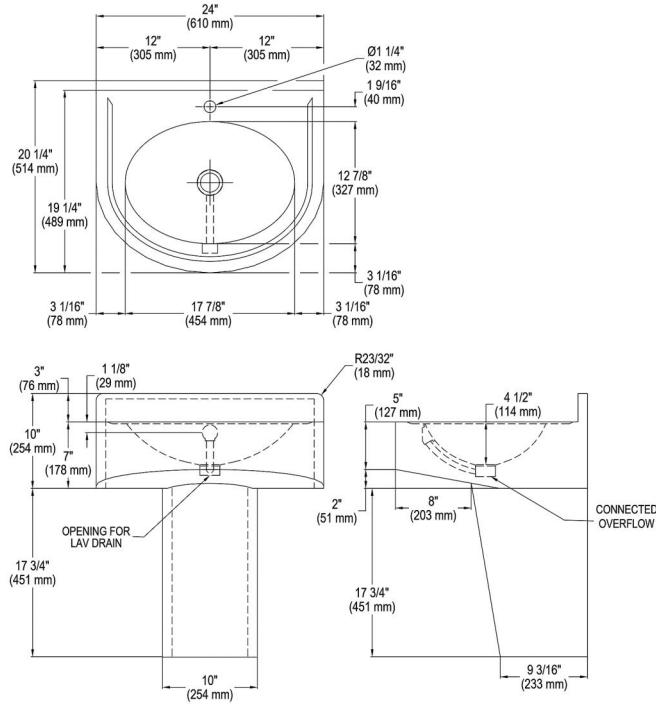
DATE: \_\_\_\_\_

NOTES: \_\_\_\_\_

APPROVAL: \_\_\_\_\_

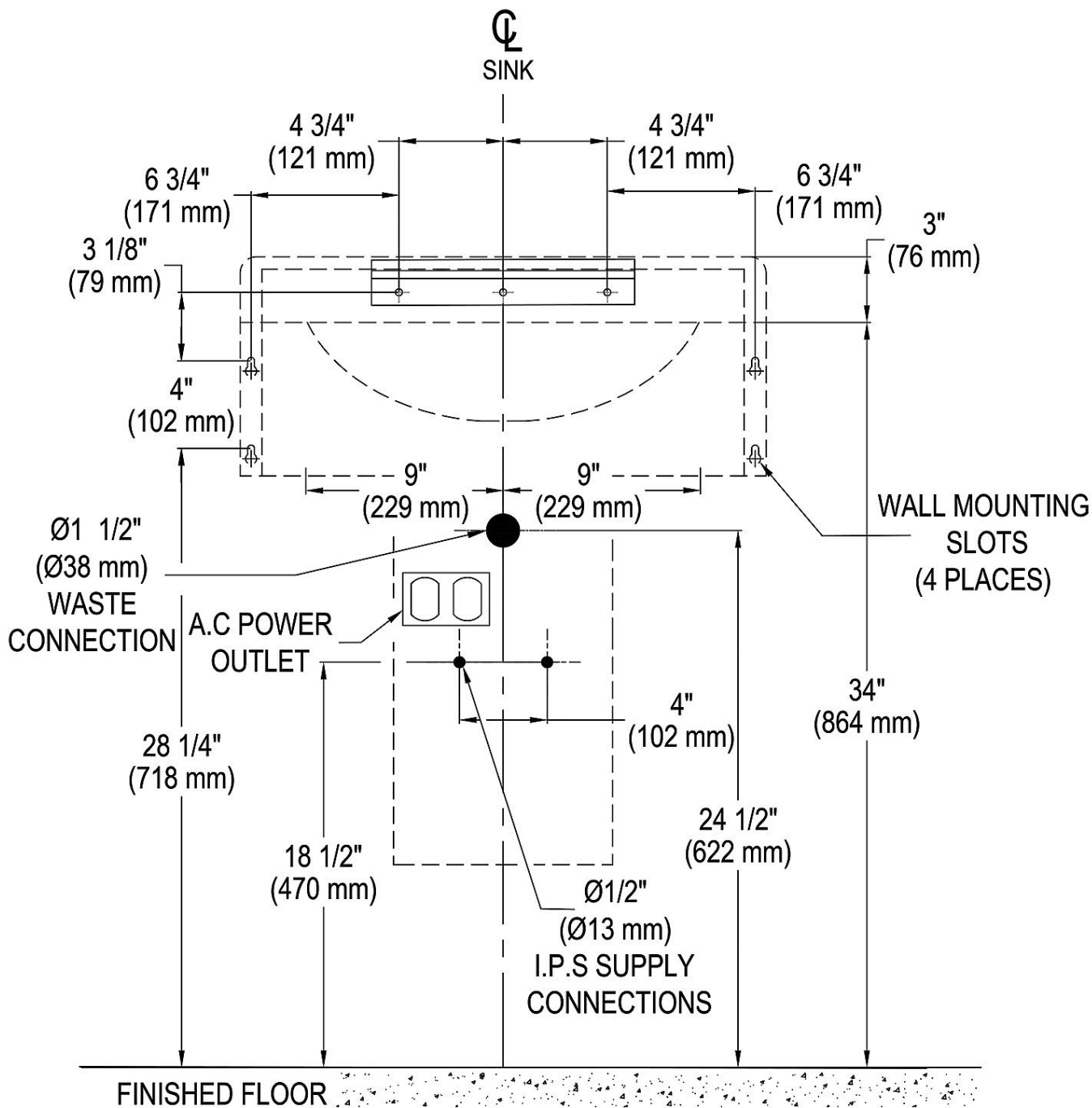
*In keeping with our policy of continuing product improvement, Just Mfg reserves the right to change product specifications without notice. Please visit [justmfg.com](http://justmfg.com) for the most current version of Just Mfg product specification sheets. This specification describes a product with design, quality, and functional benefits to the user. When making a comparison of other producers' offerings, be certain these features are not overlooked.*

**SPECIFICATIONS**



In keeping with our policy of continuing product improvement, Just Mfg reserves the right to change product specifications without notice. Please visit [justmfg.com](http://justmfg.com) for the most current version of Just Mfg product specification sheets. This specification describes a product with design, quality, and functional benefits to the user. When making a comparison of other producers' offerings, be certain these features are not overlooked.

SPECIFICATIONS



**\*NOTE:** ALTERING THIS DIMENSION COULD CAUSE SINK TO BECOME NON-ADA COMPLIANT

- NOTES:**
1. ALL FASTENERS SUPPLIED BY OTHERS.
  2. WALL MOUNTING SLOTS CORRESPOND WITH Ø 5/16" (Ø8mm) SLOTS IN SINK TURNBACK.