

### SPECIFICATIONS

#### PRODUCT SPECIFICATIONS

Stainless Steel 18-3/8" x 18-3/8" x 8" Undermount Lavatory Sink with Overflow. Sink is manufactured from 18 gauge 304 Stainless Steel with a Lustrous Satin finish, Center drain placement, and Bottom only pads.

<b>Installation Type:</b>	Undermount
<b>Material:</b>	304 Stainless Steel
<b>Finish:</b>	Lustrous Satin
<b>Gauge:</b>	18
<b>Sound Deadening:</b>	Bottom only pads
<b>Number of Bowls:</b>	1
<b>Sink Dimensions:</b>	18-3/8" x 18-3/8" x 8"
<b>Bowl 1 Dimensions:</b>	16" x 16" x 8"
<b>Drain Size:</b>	1-1/2" (38mm)
<b>Drain Location:</b>	Center
<b>Minimum Cabinet Size:</b>	24"
<b>Mounting Hardware:</b>	Not Included
<b>Cutout Template #:</b>	<a href="#">1000001418</a>

Template is available for download at [justmfg.com](http://justmfg.com). CAD software will be required to open the template.



**Included with Product:** overflow

Quality Grade Plumbing Products. Since 1933 we have become the industry standard for designing and producing quality grade plumbing products and fixtures. Our role as an industry leader remains unsurpassed.



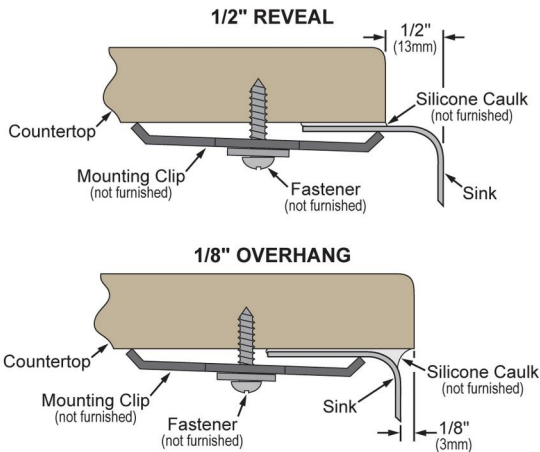
**Product Compliance:** ASME A112.19.3/CSA B45.4



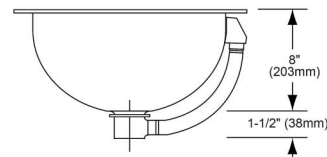
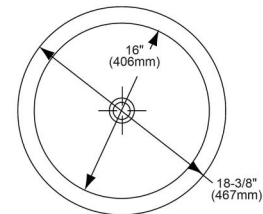
Sinks are listed by IAPMO® as meeting the applicable requirements of the Uniform Plumbing Code®, International Plumbing Code®, and National Plumbing Code of Canada.

[Clean and Care Manual \(PDF\)](#)  
[Installation Instructions \(PDF\) - 2000000857](#)  
[Warranty \(PDF\)](#)

#### Installation Profile:



Designed to affix to the underside of any solid surface countertop.



PART: \_\_\_\_\_ QTY: \_\_\_\_\_

PROJECT: \_\_\_\_\_

CONTACT: \_\_\_\_\_

DATE: \_\_\_\_\_

NOTES: \_\_\_\_\_

APPROVAL: \_\_\_\_\_

*In keeping with our policy of continuing product improvement, Just Mfg reserves the right to change product specifications without notice. Please visit [justmfg.com](http://justmfg.com) for the most current version of Just Mfg product specification sheets. This specification describes a product with design, quality, and functional benefits to the user. When making a comparison of other producers' offerings, be certain these features are not overlooked.*