

ELKAY[®]

SPECIFICATIONS

Post Mount Shelves Models PM3-PM4

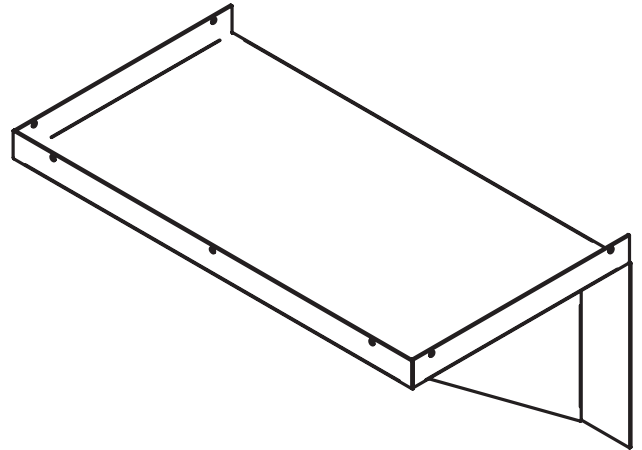
GENERAL

Accessory post mount shelves designed to hold remote chillers. One-piece, raised edge shelf fabricated of heavy-duty galvanized steel. Easy-to-install welded angle brackets mount on columns, posts, beams or walls.

APPLICATION

PM3 designed for use with ER5 and ER10.
PM4 designed for use with ER19 and ERW20.

PM3: 20"L x 11"D; Ship Wt 11 lbs.
PM4: 23-1/2"L x 13"D; Ship Wt 16 lbs.



In keeping with our policy of continuing product improvement, Elkay reserves the right to change specification without notice. Please visit elkay.com for the most current version.

This specification describes an Elkay product with design, quality and functional benefits to the user. When making a comparison of other producers' offerings, be certain these features are not overlooked.