

ELKAY® SPECIFICATIONS

EZH2O® Bottle Filling Station with High-efficiency ECH8GRN Chiller Model EZWSGRNM8K

RATED FOR INDOOR USE ONLY

PRODUCT SPECIFICATION

In-wall recessed bottle filling station with high-efficiency ECH8GRN chilling unit. EZWSGRNM8K shall deliver 8 GPH of 50°F drinking water at 90°F ambient and 80°F inlet water. Units shall be stainless steel construction with plastic ABS alcove. Sensor-activation with an auto 20-second shut-off timer. Shall include Green Ticker™ displaying count of plastic bottles saved from waste. Bottle filler shall provide 1.1 gpm flow rate with laminar flow to minimize splashing. Shall include integrated silver ion anti-microbial protection in key areas. Unit shall meet ADA guidelines. Unit shall be lead-free design which is certified to NSF/ANSI 61 and 372 and meets Federal and State low-lead requirements. Unit shall be certified to UL399 and CAN/CSA 22.2 No. 120.

STANDARD FEATURES

- High-efficiency ECH8GRN chilling unit
- Sanitary, touchless activation with auto 20-second shut-off (Bottle Filler)
- Integrated Silver Ion Anti-microbial Protection in key areas
- Quick Fill Rate: 1.1 gpm
- Laminar Flow provides minimal splash
- Real Drain System eliminates standing water
- Visual User Interface display includes:
 - Innovative Green Ticker™ counts bottles saved from waste
- Cooler panel finishes: Light Gray Granite Vinyl Clad Steel or Stainless Steel
- Includes lower hinged panel for easy access and servicing

COOLING SYSTEM





- High-efficiency compressor: hermetically-sealed, reciprocating type, single phase. Sealed-in lifetime lubrication.
- Condenser: Fan cooled. Fan motor is permanently lubricated.
- Cooling Unit: Combination tube-tank type. Continuous copper tubing with stainless steel tank. Fully insulated with EPS foam which meets UL requirements for self-extinguishing material.
- Refrigerant Control: Refrigerant R134a is controlled by accurately calibrated capillary tube.
- Temperature Control: Enclosed adjustable thermostat is factory preset. Requires no adjustment other than for altitude requirements, Easily accessible by removing lower grille panel.



CONSTRUCTION

- Stainless steel bottle filler construction with ABS plastic alcove
- Includes stainless steel louvered ventilating grille
- Furnished with MFWS100 wall mounting box constructed of galvanized steel. Mounting can be ordered separately for pre-install.

Warranty: 5 year limited warranty on the unit's refrigeration system. Electrical components and water system are warranted for 12 months from date of installation or 18 months from factory shipment, whichever date falls first.

| CAPACITIES CHART | | | | | |  |  |  |  |
|------------------|-----------------|---------------------|-----------|-------------|------------------|--|---|---|---|
| Model | Voltage / Hertz | Chilling** Capacity | F.L. Amps | Rated Watts | Approx. Ship Wt. | ADA Compliant | UL399 and CAN/CSA 22.2 No. 120 Certified | NSF/ANSI 61 and 372 Certified | GreenSpec® Listed |
| EZWSGRNM8K | 115V / 60 Hz | 8 GPH | 4.5 | 260 | 80 | • | • | • | • |

**Based on 80°F inlet water & 90°F ambient air temp for 50°F chilled drinking water.

This specification describes an Elkay product with design, quality and functional benefits to the user. When making a comparison of other producer's offerings, be certain these features are not overlooked.

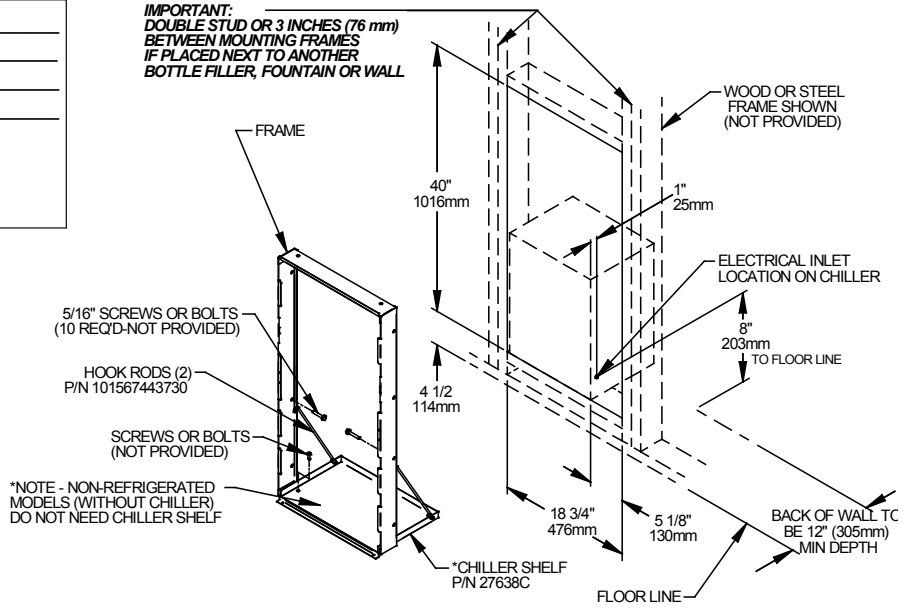
EZH20® Bottle Filling Station
with High-efficiency ECH8GRN Chiller
Model EZWSGRNM8K

ELKAY®
ROUGH-IN DIMENSIONS

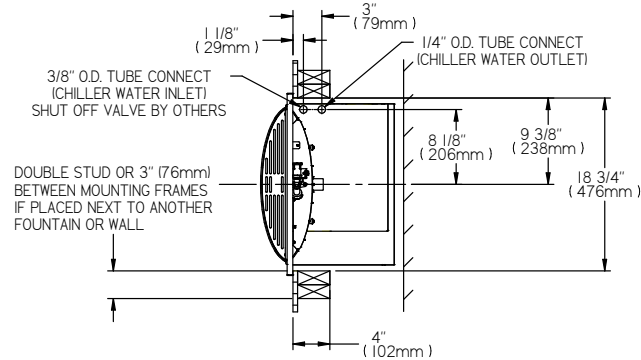
RATED FOR INDOOR USE ONLY

Job Name: _____
 Model: _____ Qty. _____
 Contact: _____
 Approval Signature: _____
 Notes: _____

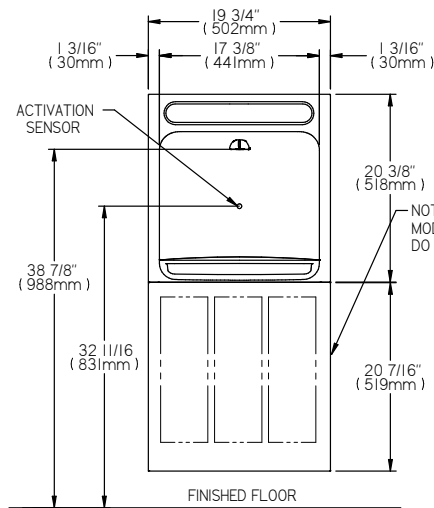
IMPORTANT:
 DOUBLE STUD OR 3 INCHES (76 mm)
 BETWEEN MOUNTING FRAMES
 IF PLACED NEXT TO ANOTHER
 BOTTLE FILLER, FOUNTAIN OR WALL



TOP & SIDE VIEWS



FRONT VIEW



WALL LAYOUT