

### SPECIFICATIONS

#### PRODUCT SPECIFICATIONS

Stainless Steel 22" x 19-1/2" x 12-3/8" Single Bowl Drop-in Sink. Sink is manufactured from 18 gauge 304 Stainless Steel with a Lustrous Satin finish, Center drain placement, and Bottom only pads.

|                              |                         |
|------------------------------|-------------------------|
| <b>Installation Type:</b>    | Drop-in                 |
| <b>Material:</b>             | 304 Stainless Steel     |
| <b>Finish:</b>               | Lustrous Satin          |
| <b>Gauge:</b>                | 18                      |
| <b>Sound Deadening:</b>      | Bottom only pads        |
| <b>Number of Bowls:</b>      | 1                       |
| <b>Sink Dimensions:</b>      | 22" x 19-1/2" x 12-3/8" |
| <b>Bowl 1 Dimensions:</b>    | 18" x 14" x 12-3/8"     |
| <b>Drain Size:</b>           | 3-1/2" (89mm)           |
| <b>Drain Location:</b>       | Center                  |
| <b>Minimum Cabinet Size:</b> | 24"                     |
| <b>Mounting Hardware:</b>    | Included                |

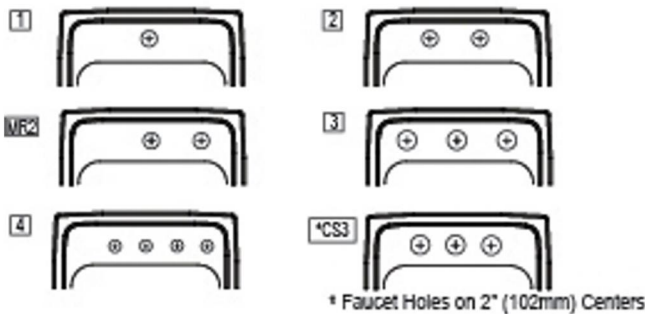


Quality Grade Plumbing Products.  
 Since 1933 we have become the industry standard for designing and producing quality grade plumbing products and fixtures. Our role as an industry leader remains unsurpassed.

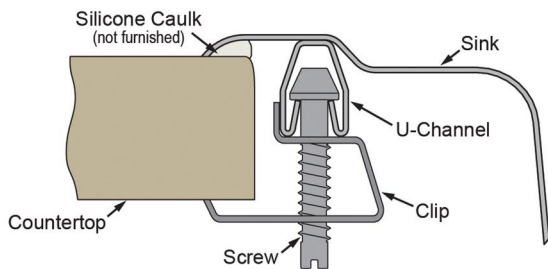


#### Hole Drilling Configurations:

1-1/2" (38mm) Diameter Faucet Holes on 4" (102mm) Centers



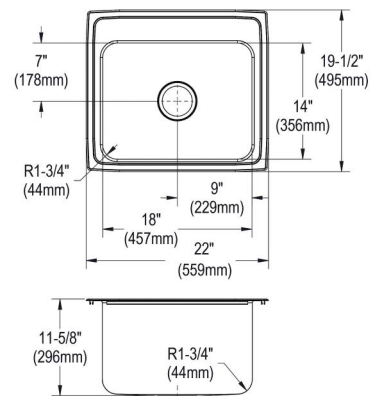
#### Installation Profile:



**Product Compliance:** ASME A112.19.3/CSA B45.4

Sinks are listed by IAPMO® as meeting the applicable requirements of the Uniform Plumbing Code®, International Plumbing Code®, and National Plumbing Code of Canada.

- [Clean and Care Manual \(PDF\)](#)
- [Installation Instructions \(PDF\) - 2000000856](#)
- [Warranty \(PDF\)](#)



PART: \_\_\_\_\_ QTY: \_\_\_\_\_

PROJECT: \_\_\_\_\_

CONTACT: \_\_\_\_\_

DATE: \_\_\_\_\_

NOTES: \_\_\_\_\_

APPROVAL: \_\_\_\_\_

*In keeping with our policy of continuing product improvement, Just Mfg reserves the right to change product specifications without notice. Please visit [justmfg.com](http://justmfg.com) for the most current version of Just Mfg product specification sheets. This specification describes a product with design, quality, and functional benefits to the user. When making a comparison of other producers' offerings, be certain these features are not overlooked.*