



Model LZ8WSBPRO

Elkay® Pro Filtration™ plumbSMART™ Single ADA Bottle Filler
Only Refrig Lead Reduction Black Stainless

TAG



PRODUCT SPECIFICATIONS

Elkay® Pro Filtration™ plumbSMART™ Single ADA Bottle Filler Only Refrig Lead Reduction Black Stainless. Chilling Capacity of 8.0 GPH (gallons per hour) of 50° F drinking water, based on 80° F inlet water and 90° F ambient, per ASHRAE 18 testing. Features shall include Top Mount Quick Filter Change, Pro Filtration System, Automatic Filter Status Reset, Antimicrobial*, Stainless Steel Alcove, Alcove Light, Automatic Filter Flush, Visual Filter Monitor, Green Ticker™, Hands Free, Real Drain, Filtered, Laminar Flow, Cloud Connected Device. Electronic Bottle Filler Sensor activation. Product shall be Wall Mount (On Wall), for Indoor applications, serving 1 station(s). Unit shall be certified to UL 399 and CAN/CSA C22.2 No. 120.



Special Features:	Top Mount Quick Filter Change, Pro Filtration System, Automatic Filter Status Reset, Antimicrobial, Stainless Steel Alcove, Alcove Light, Automatic Filter Flush, Visual Filter Monitor, Green Ticker™, Hands Free, Real Drain, Filtered, Laminar Flow, Cloud Connected Device
Finish:	Black Stainless (BK)
Bubbler Style:	No Bubbler
Activation by:	Electronic Bottle Filler Sensor
Mounting Type:	Wall Mount (On Wall)
Chilling Capacity*:	8.0 GPH
Full Load Amps	5
Dimensions (L x W x H):	18" x 11-15/16" x 48-9/16"
Approx. Shipping Weight:	79 lbs.
Installation Location:	Indoor
No. of Stations Served:	1
*Based on 80° F inlet water & 90° F ambient air temp for 50° F chilled drinking water.	

Special Note: plumbSMART Gateway and Account required for cloud connection.

COOLING SYSTEM

- Compressor: Hermetically-sealed, reciprocating type, single phase. Sealed-in lifetime lubrication.
- Condenser: Fan cooled, copper tube with aluminum fins. Fan motor is permanently lubricated.
- Cooling Unit: Combination tube-tank type. Continuous copper tubing with is fully insulated with EPS foam that meets UL requirements for self-extinguishing material.
- Refrigerant Control: Refrigerant R-134a is controlled by accurately calibrated capillary tube.
- Temperature Control: Easily accessible enclosed adjustable thermostat is factory preset. Requires no adjustment other than for altitude requirements.

Included with Product:

**Bottle Filler,
Ultra Capacity Filter**

Ships in one box.

A Century of Tradition and Quality. For more than 100 years, Elkay has been making innovative products and providing exceptional customer care. We take pride in offering plumbing products that make life easier, inspire change and leave the world a better place.



PRODUCT COMPLIANCE

- ADA & ICC A117.1
- ASME A112.19.3/CSA B45.4
- CAN/CSA C22.2 No. 120
- FCC & ISED
- NSF/ANSI 42, 53, 61 (Q≤1), 372 (lead free), & 401
- UL 399



Complies with ADA & ICC A117.1 accessibility requirements when installed according to the requirements outlined in these standards. Installation may require additional components and/or construction features to be fully compliant. Consult the local Authority Having Jurisdiction if necessary.

[Installation Instructions \(PDF\) - 2000003315](#)

5 Year Limited Warranty on the refrigeration system of the unit. Water Systems are warranted for 12 months from date of installation. **Warranty pertains to drinking water applications only. Non-drinking water applications are not covered under warranty.**

[Warranty \(PDF\)](#)

PART: _____ QTY: _____

PROJECT: _____

CONTACT: _____

DATE: _____

NOTES: _____ APP

ROVAL: _____

In keeping with our policy of continuing product improvement, reserves the right to change product specifications without notice. Please visit for the most current version of product specification sheets. This specification describes product with design, quality, and functional benefits to the user. When making a comparison of other producers' offerings, be certain these features are not overlooked.



Model LZ8WSBPRO

Elkay® Pro Filtration™ plumbSMART™ Single ADA Bottle Filler
Only Refrig Lead Reduction Black Stainless

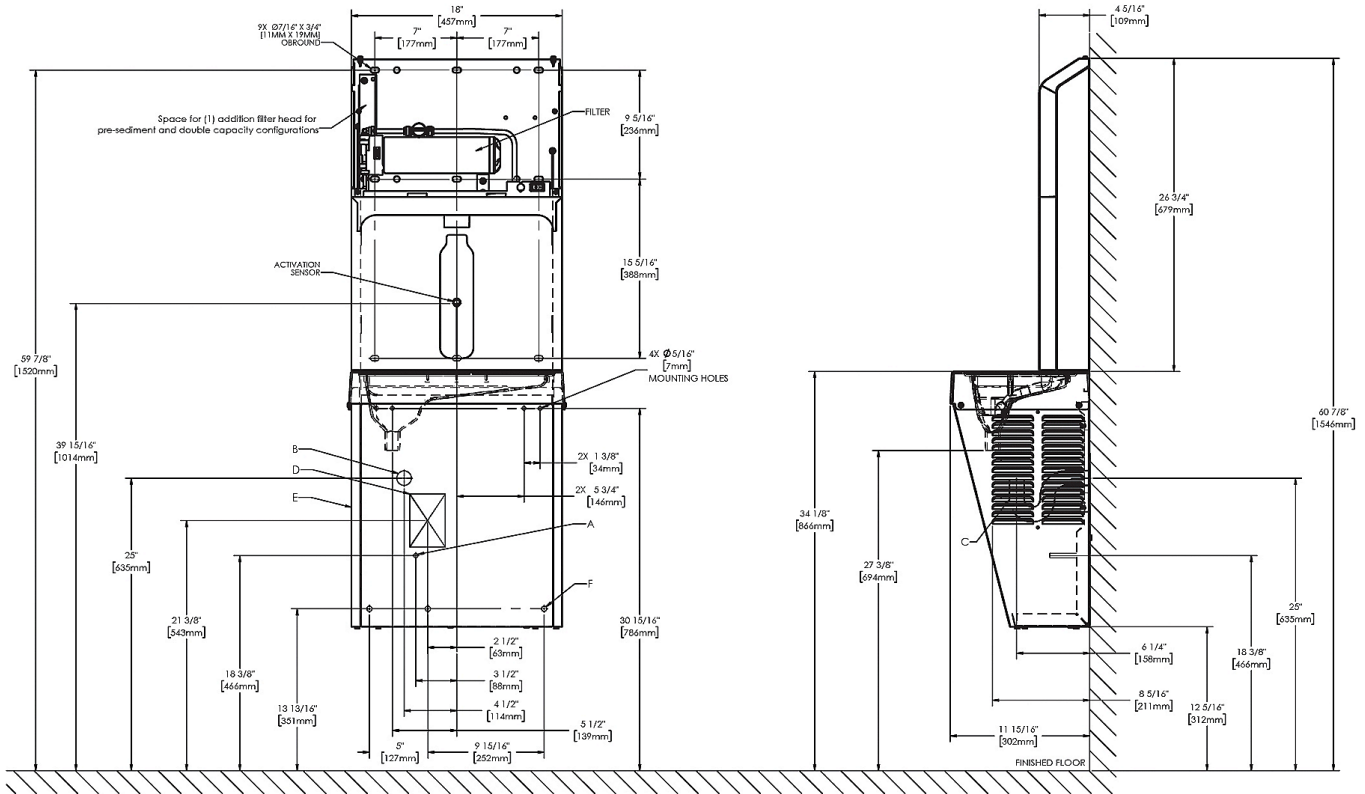
TAG

Features	
<ul style="list-style-type: none"> • Certified Filtration: Certified to NSF/ANSI 42, 53 & 401 to reduce lead, total PFAS, microplastics, copper, asbestos, and more 	<ul style="list-style-type: none"> • Top-Access Filter Replacement: Change filters in seconds from the top- minimizing maintenance time and system disruption
<ul style="list-style-type: none"> • High Capacity Filtration: Delivers filter life capacity that exceeds industry standards, with options up to 20,000 gallons- extending uptime and reducing filter changeouts 	<ul style="list-style-type: none"> • Smart Connected: Remotely track filter status, anticipate maintenance, flush the unit, and monitor bottles saved for sustainability insights
<ul style="list-style-type: none"> • Automated Filter Startup: Recognizes new filters, automatically resets status lights, and flushes the waterway- reducing installation time and labor 	<ul style="list-style-type: none"> • Interactive Display: Blue LCD display shows remaining filter capacity and 20oz bottles saved - helping teams stay ahead of maintenance and avoid unplanned downtime
<ul style="list-style-type: none"> • 10,000-gallon ultra filter capacity helps extend uptime and reduce maintenance frequency— ideal for high-traffic environments 	
	*Antimicrobial claims are in reference to components manufactured antimicrobial agents, helping to provide clean, stain- and odor-free surfaces.

Filtration Options	Suffix	Description	Filters Included
Total PFAS + Lead	-FLP4	Elkay Pro Filtration® 4,000 gallon Total PFAS and Lead filter is certified by IAPMO R&T to NSF/ANSI 42, 53 and 401 to reduce Total PFAS, lead, microplastics, cysts, asbestos, turbidity, particulate class 1, chlorine, and taste and odor, and to NSF/ANSI/CAN 372 for lead free compliance.	FLP4
Sediment Prefilter	-FSR5	Elkay Pro Filtration® Sediment Prefilter is certified by IAPMO R&T to NSF/ANSI 42 for material safety and structural integrity only, and to NSF/ANSI/CAN 372 for lead free compliance.	FL10 + FSR5
UV	-UV	Units are equipped with a built-in UVC-LED at the dispense point.	FL10

Optional Accessories		
FL6	Elkay Pro Filtration® High-Capacity Lead + Microplastics 6000 gal. Filter	Spec Sheet (PDF)
FLP4	Elkay Pro Filtration® Total PFAS* + Lead + Microplastics 4000 gal. Filter	Spec Sheet (PDF)
FL10	Elkay Pro Filtration® Ultra-Capacity Lead + Microplastics 10000 gal. Filter	Spec Sheet (PDF)
FSR5	Elkay Pro Filtration® Stage 1 Sediment Prefilter	Spec Sheet (PDF)
ZGW-LORA-W1-LTE	Zurn Gateway for Connected Enabled Products	Spec Sheet (PDF)
SSBFUP-PRO	Back Panel Assembly Kit for Single Coolers with Elkay Pro Filtration Bottle Filler	Spec Sheet (PDF)
MLP100	In-wall Carrier for Single-station On-wall Bottle Fillers Coolers & Fountains	Spec Sheet (PDF)

In keeping with our policy of continuing product improvement, reserves the right to change product specifications without notice. Please visit [www.elkay.com](#) for the most current version of product specification sheets. This specification describes product with design, quality, and functional benefits to the user. When making a comparison of other producers' offerings, be certain these features are not overlooked.



REDUCE HEIGHT BY 3 INCHES FOR INSTALLATION OF CHILDREN'S ADA COOLER

LEGEND:
 A = Recommended Water Supply location. Shut-off Valve (not furnished) to accept 3/8" O.D. unplated copper tube. Up to 3" (76mm) maximum out from wall.
 B = Recommended Waste Outlet location. To accommodate 1-1/4" nominal drain. Drain stub 2" (51mm) out from wall.
 C = 1-1/4" Trap (not furnished).
 D = Electrical Supply (3) Wire Recessed Duplex Outlet.
 E = Insure proper ventilation by maintaining 6" (152mm) minimum clearance from cabinet louvers to wall.
 F = 7/16" (11mm) Bolt Holes for fastening to wall.
 Note: New Installations Must Use Ground Fault Circuit Interrupter (GFCI).

In keeping with our policy of continuing product improvement, reserves the right to change product specifications without notice. Please visit [www.elkay.com](#) for the most current version of product specification sheets. This specification describes product with design, quality, and functional benefits to the user. When making a comparison of other producers' offerings, be certain these features are not overlooked.