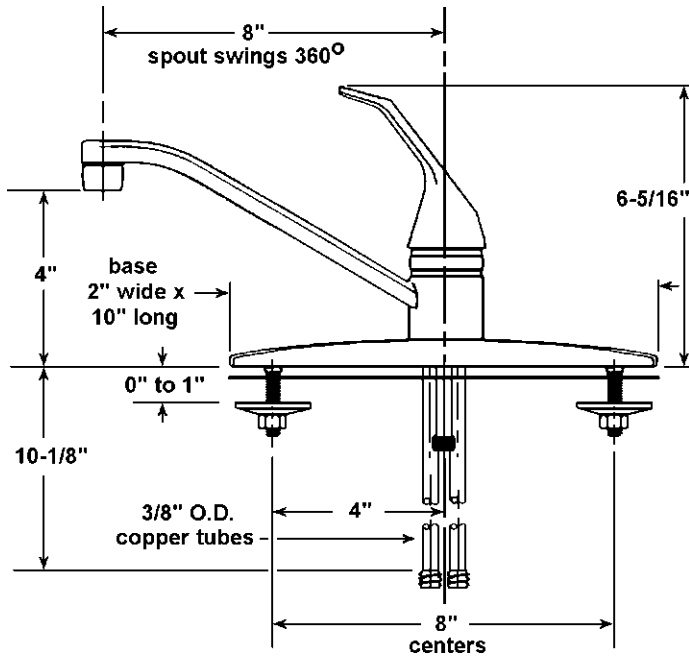




J-901

**FAUCET GROUP**  
DECKMOUNT SINK FAUCET

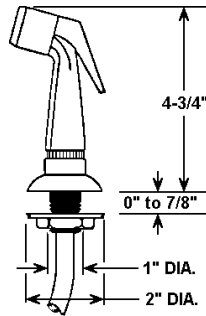
**SUBMITTAL DATA**



**TECHNICAL DATA CONSTRUCTION:**

Single lever deck mounted kitchen sink faucet  
Includes spray and hose  
8" brass swing spout  
Brass body  
Chrome plated die cast lever handle  
Replaceable washerless valve cartridge  
1/2" I.P.S. connections  
Equipped with 1.5 GPM water saving aerator  
Certified in conformance with:\*

- ASME A112.18.1/CSA B125.1-12
- NSF 372-2011
- Section 1417(d) of U.S. Safe Water Drinking Act
- Uniform Plumbing Code (UPC)
- International Plumbing Code (IPC)
- National Plumbing Code of Canada
- Low Lead requirements for potable use
- \*Certifications not applicable to spray and hose.



OPTIONS	
AERATORS / FLOW CONTROL	
0.5 GPM	2.2 GPM
1.0 GPM	
VANDAL RESISTANT	
Aerator - VR-A	

**FINISH**

Polished chrome

**FLOW RATE**

1.5 GPM

**A.D.A. COMPLIANT**

Yes

**VARIANTS**

J-900 = J-901 w/o Spray

APPROVED FOR MANUFACTURING

MODEL NO.: **J-901** QTY: \_\_\_\_\_

JOB NAME: \_\_\_\_\_

TAG/ITEM: \_\_\_\_\_

CUSTOMER: \_\_\_\_\_

SIGNATURE: \_\_\_\_\_

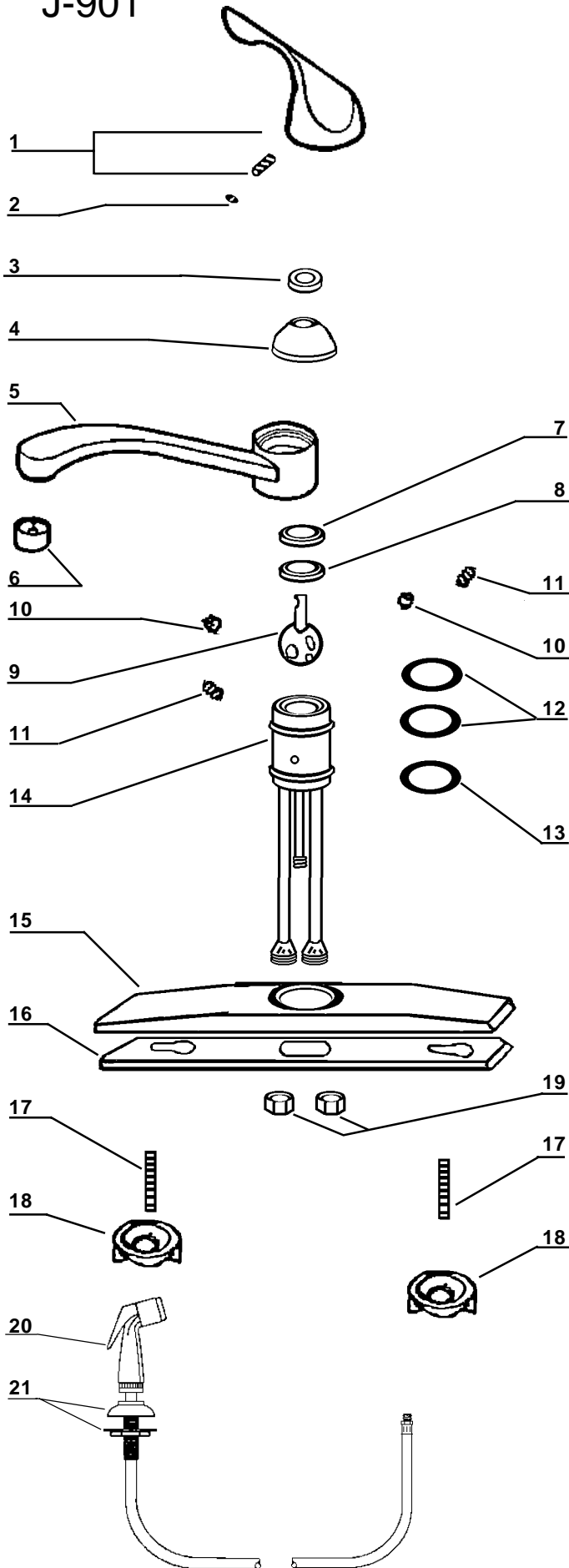
JUST MFG. COMPANY CONTINUES TO MAKE QUALITY AND FUNCTIONALITY A MARK OF THE JUST PRODUCT LINE. WE RESERVE THE RIGHT TO CHANGE PRODUCT INFORMATION WITHOUT NOTICE. DIMENSIONS MAY CHANGE AND MAY BE SUBJECT TO CHANGE WITHOUT NOTICE. NO RESPONSIBILITY IS ASSUMED FOR USE OF SUPERCEDED OR VOIDED DATA. JUST MFG. CO. SINKS ARE MADE IN THE U.S.A. WHEN COMPARING OTHER BRAND PRODUCTS, BE SURE TO COMPARE USA QUALITY ALONG WITH FEATURES AND DIMENSIONS.

**JUST MANUFACTURING COMPANY**

9233 KING STREET FRANKLIN PARK ILLINOIS 60131-2111

PH: 847-678-5150 . FAX: 847-678-6817 . E-MAIL: [custserv@justmfg.com](mailto:custserv@justmfg.com) . [www.justmfg.com](http://www.justmfg.com)

J-901



**FAUCET GROUP**

**DECKMOUNT SINK FAUCET**



Item No.	Part No.	Description
1	15C-812-01	Lever handle assembly - Chrome
2	10-822-02	Hot/Cold Index
3	01-812-03	Bonnet ring
4	15C-812-04	Bonnet
5	O3C-812-05	Spout
6	01C-407-099	Aerator assembly
7	20-812-06	Bonnet cap
8	30-812-07	Cartridge gasket
9	10-812-08	Cartridge
10	30-425-16	Port seal ring
11	10-425-17	Port spring
12	30-812-16	O-Ring
13	20-812-17	Poly gasket
14	- -	Core(not available)
15	20-735-16	Deck cover
16	20-735-17	Deck base
17	- -	Core screws (not available)
18	20-812-13	Mounting hardware parts bag (2 sets per bag)
19	01-408-26B	Nuts (2 required)
20	LT7714	Spray and hose assembly
21	LT7715	Hose guide assembly

**JUST MANUFACTURING COMPANY**  
 9233 KING STREET . FRANKLIN PARK . ILLINOIS . 60131-2111  
 PH: 847-678-5150 . FAX: 847-678-6817  
 E-MAIL: custserv@justmfg.com .  
 www.justmfg.com

JUST MFG. COMPANY CONTINUES TO MAKE QUALITY AND FUNCTIONALITY A MARK OF THE JUST PRODUCT LINE. TO DO SO REQUIRES THAT WE RESERVE THE RIGHT TO CHANGE PRODUCT INFORMATION WITHOUT NOTICE. FOR THE MOST CURRENT AND ACCURATE INFORMATION REGARDING THE COMPLETE LINE OF JUST SINKS, FAUCETS AND DRAINS, CLICK ON THE SPEC LINE DRAWINGS LINK ON OUR WEB SITE AT [www.justmfg.com](http://www.justmfg.com)