

SPECIFICATIONS

PRODUCT SPECIFICATIONS

Stainless Steel 60" x 23" x 26" Wall Hung Double Station Surgeon Scrub Sink Kit w/Faucets + Drains + Mixing Valves. Sink is manufactured from 16 gauge 304 Stainless Steel with a Buffed Satin finish, Rear Center drain placement.



Material:	304 Stainless Steel
Finish:	Buffed Satin
Gauge:	16
Number of Bowls:	2
Sink Dimensions:	60" x 23" x 26"
Bowl 1 Dimensions:	28" x 16-1/4" x 11"
Bowl 2 Dimensions:	28" x 16-1/4" x 11"
Drain Size:	3-1/2" (89mm)
Drain Location:	Rear Center

Included with Product: EWSF260262 sink, two sensor faucets, two J35SSF drains

Quality Grade Plumbing Products. Since 1933 we have become the industry standard for designing and producing quality grade plumbing products and fixtures. Our role as an industry leader remains unsurpassed.



Product Compliance: ASME A112.19.3/CSA B45.4
 Faucet: NSF 372 (lead free)
 ASME A112.18.1/CSA B125.1
 NSF 61
 Accessory: ASSE 1070
 ASSE 1069
 NSF 372 (lead free)
 ASSE 1017
 ASME A112.18.2/CSA B125.2



Sinks are listed by IAPMO® as meeting the applicable requirements of the Uniform Plumbing Code®, International Plumbing Code®, and National Plumbing Code of Canada.

- [Clean and Care Manual \(PDF\)](#)
- [Installation Instructions \(PDF\) - 2000000893](#)
- [Installation Instructions \(PDF\) - 2000000894](#)
- [Installation Instructions \(PDF\) - FV808](#)
- [Warranty \(PDF\)](#)

PART: _____ QTY: _____

PROJECT: _____

CONTACT: _____

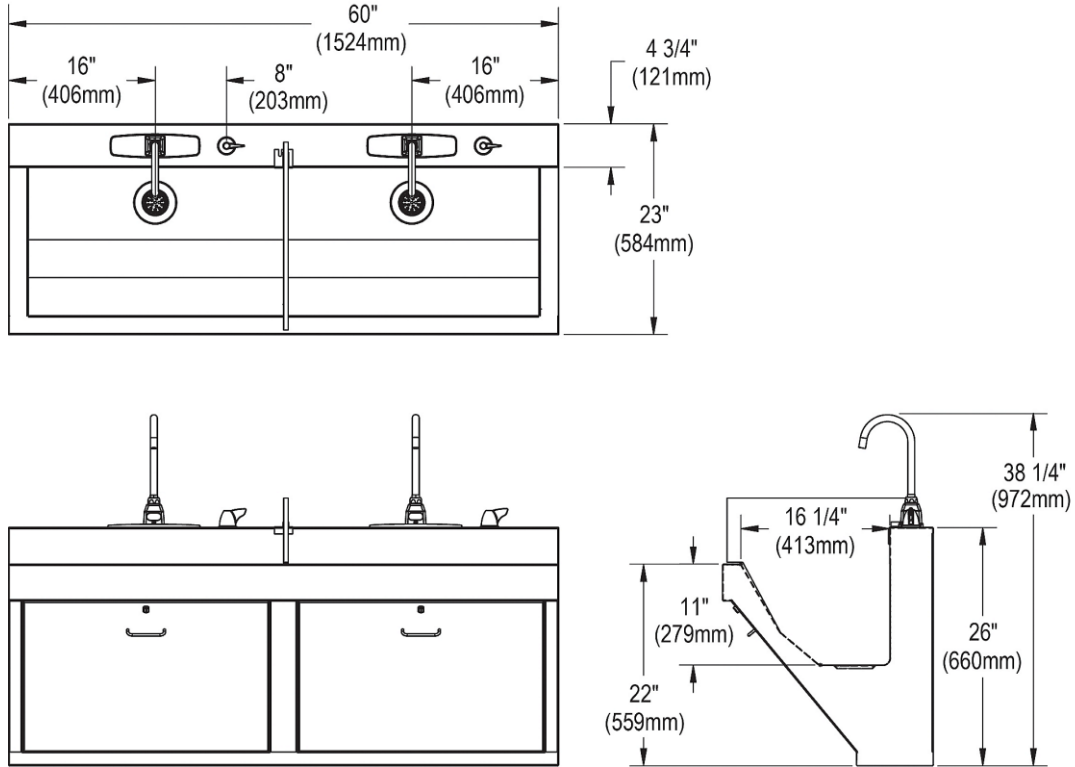
DATE: _____

NOTES: _____

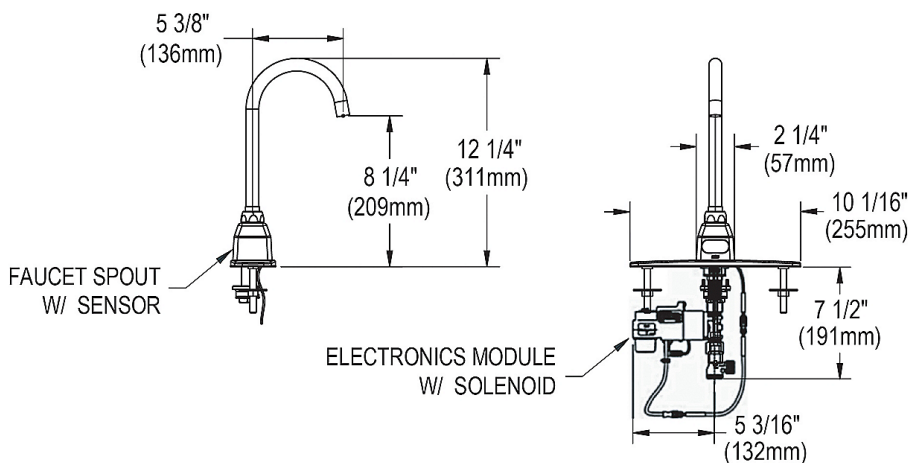
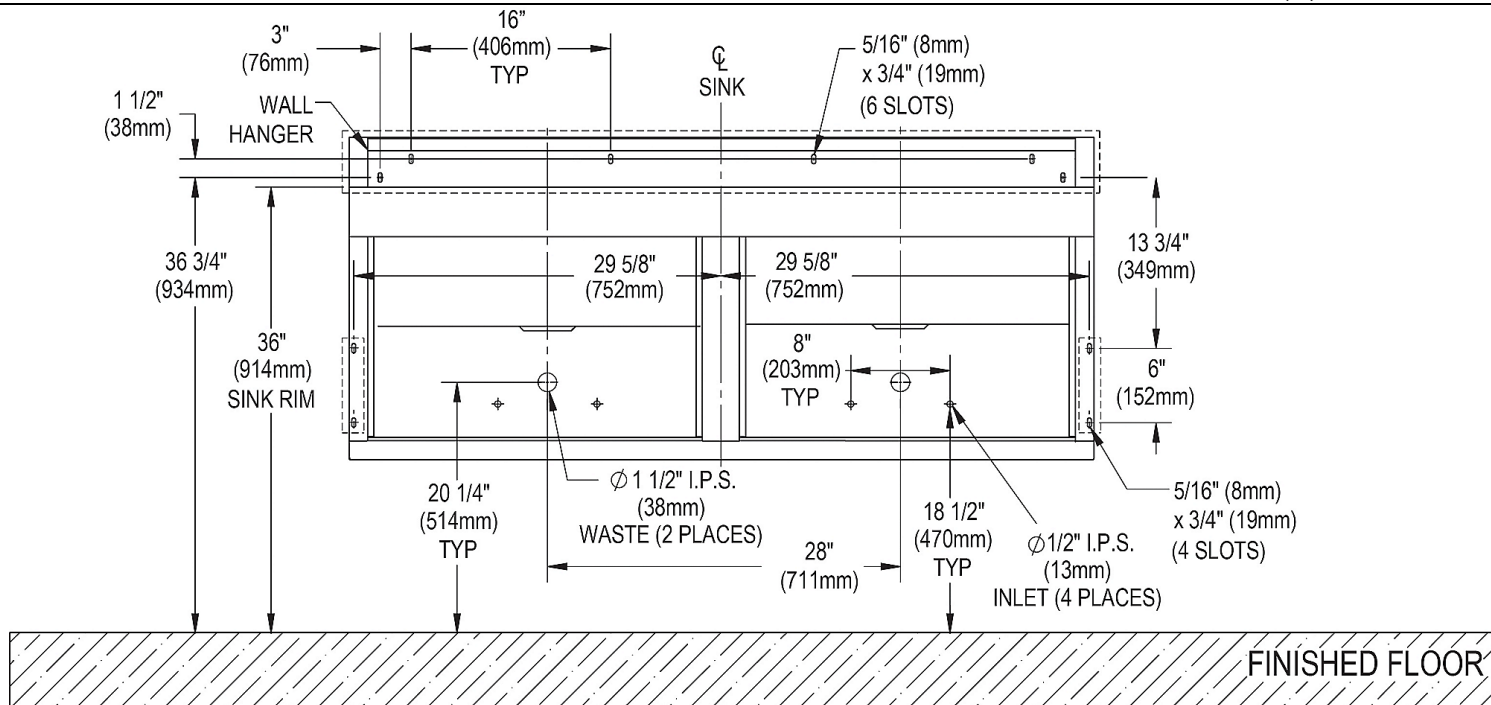
APPROVAL: _____

In keeping with our policy of continuing product improvement, Just Mfg reserves the right to change product specifications without notice. Please visit justmfg.com for the most current version of Just Mfg product specification sheets. This specification describes a product with design, quality, and functional benefits to the user. When making a comparison of other producers' offerings, be certain these features are not overlooked.

SPECIFICATIONS



In keeping with our policy of continuing product improvement, Just Mfg reserves the right to change product specifications without notice. Please visit justmfg.com for the most current version of Just Mfg product specification sheets. This specification describes a product with design, quality, and functional benefits to the user. When making a comparison of other producers' offerings, be certain these features are not overlooked.



In keeping with our policy of continuing product improvement, Just Mfg reserves the right to change product specifications without notice. Please visit justmfg.com for the most current version of Just Mfg product specification sheets. This specification describes a product with design, quality, and functional benefits to the user. When making a comparison of other producers' offerings, be certain these features are not overlooked.