

**PRODUCT SPECIFICATIONS**

Elkay Lustertone™ Classic Stainless Steel 37-1/4" x 17" x 6-1/2", Double Bowl Drop-in Classroom ADA Sink Kit. Sink is manufactured from 18 gauge 304 Stainless Steel with a Lustrous Satin finish, Center drain placement, and Bottom only pads.

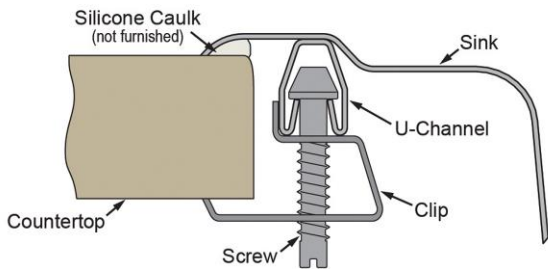
<b>Installation Type:</b>	Drop-in, Sink Kits
<b>Material:</b>	304 Stainless Steel
<b>Finish:</b>	Lustrous Satin
<b>Gauge:</b>	18
<b>Sound Deadening:</b>	Bottom only pads
<b>Number of Bowls:</b>	2
<b>Sink Dimensions:</b>	37-1/4" x 17" x 6-1/2"
<b>Bowl 1 Dimensions:</b>	16" x 11-1/2" x 6-3/8"
<b>Bowl 2 Dimensions:</b>	9-1/4" x 12" x 3-1/2"
<b>Drain Size:</b>	3-1/2" (89mm), 2" (51mm)
<b>Drain Location:</b>	Center
<b>Minimum Cabinet Size:</b>	42"
<b>Mounting Hardware:</b>	Part # 64090014 included for countertops up to 3/4" (19mm) thick
<b>Template Included:</b>	No
<b>Cutout Template #:</b>	<a href="#">1000000735</a>

Template is available for download at [elkay.com](http://elkay.com). CAD software will be required to open the template.

**Cutout Dimensions for Drop-in Installation:**

36-5/8" x 16-3/8" (930mm x 416mm) with 1-1/2" (38mm) corner radius

**Installation Profile:**



**Included with Product:** One LKD2439C faucet, one LK1141A bubbler, one LK35 strainer, one LK8 drain fitting

AMERICAN PRIDE. A LIFETIME TRADITION. Like your family, the Elkay family has values and traditions that endure. For almost a century, Elkay has been a family-owned and operated company, providing thousands of jobs that support our families and communities.

**Product Compliance:** ADA & ICC A117.1  
ASME A112.19.3/CSA B45.4  
Buy American Act  
Faucet: ASME A112.18.1/CSA B125.1  
CEC  
NSF 372 (lead free)  
NSF 61  
Accessory: ASME A112.18.2/CSA B125.2



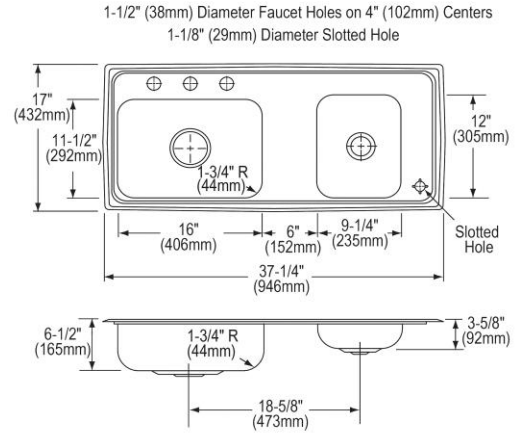
Complies with ADA & ICC A117.1 accessibility requirements when installed according to the requirements outlined in these standards.

- [Clean and Care Manual \(PDF\)](#)
- [Installation Instructions \(PDF\) - 1000005236](#)
- [Installation Instructions \(PDF\) - 000000998](#)
- [Installation Instructions \(PDF\) - A55068\\_Bubbler](#)
- [Installation Instructions \(PDF\) - 1000005235\\_drain](#)
- [Warranty \(PDF\)](#)

**Similar models are available with:** Quick-Clip Mounting System, additional ADA depths

PART: \_\_\_\_\_ QTY: \_\_\_\_\_  
 PROJECT: \_\_\_\_\_  
 CONTACT: \_\_\_\_\_  
 DATE: \_\_\_\_\_  
 NOTES: \_\_\_\_\_  
 APPROVAL: \_\_\_\_\_

*In keeping with our policy of continuing product improvement, Elkay reserves the right to change product specifications without notice. Please visit [elkay.com](http://elkay.com) for the most current version of Elkay product specification sheets. This specification describes an Elkay product with design, quality, and functional benefits to the user. When making a comparison of other producers' offerings, be certain these features are not overlooked.*



*In keeping with our policy of continuing product improvement, Elkay reserves the right to change product specifications without notice. Please visit [elkay.com](http://elkay.com) for the most current version of Elkay product specification sheets. This specification describes an Elkay product with design, quality, and functional benefits to the user. When making a comparison of other producers' offerings, be certain these features are not overlooked.*