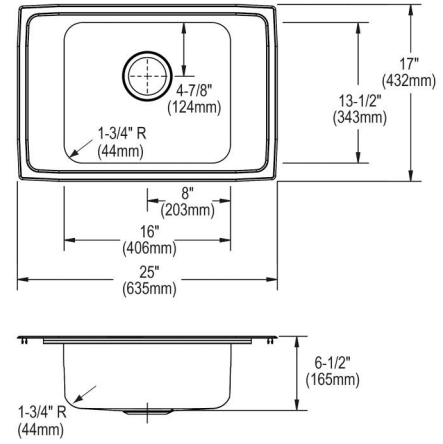


SPECIFICATIONS

PRODUCT SPECIFICATIONS

Stainless Steel 25" x 17" x 6-1/2" LM-Hole Single Bowl Drop-in Classroom ADA Sink Kit w/Overflow. Sink is manufactured from 18 gauge 304 Stainless Steel with a Lustrous Satin finish, Center drain placement, and Bottom only pads.

Installation Type:	Drop-in
Material:	304 Stainless Steel
Finish:	Lustrous Satin
Gauge:	18
Sound Deadening:	Bottom only pads
Number of Bowls:	1
Sink Dimensions:	25" x 17" x 6"
Bowl 1 Dimensions:	16" x 14" x 6"
Drain Size:	3-1/2" (89mm)
Drain Location:	Center
Minimum Cabinet Size:	28"
Mounting Hardware:	Included



Quality Grade Plumbing Products.

Since 1933 we have become the industry standard for designing and producing quality grade plumbing products and fixtures. Our role as an industry leader remains unsurpassed.



- Product Compliance:** ADA & ICC A117.1
ASME A112.19.3/CSA B45.4
- Faucet:** NSF 372 (lead free)
NSF 61
ASME A112.18.1/CSA B125.1



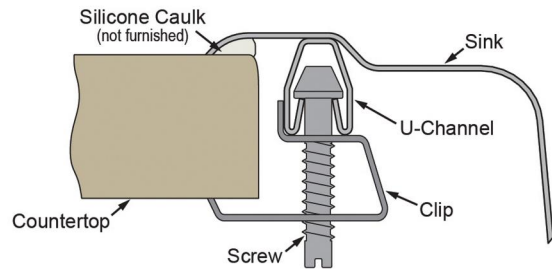
Sinks are listed by IAPMO® as meeting the applicable requirements of the Uniform Plumbing Code®, International Plumbing Code®, and National Plumbing Code of Canada.



Complies with ADA & ICC A117.1 accessibility requirements when installed according to the requirements outlined in these standards.

- [Clean and Care Manual \(PDF\)](#)
- [Installation Instructions \(PDF\) - 2000000856](#)
- [Warranty \(PDF\)](#)

Installation Profile:



PART: _____ QTY: _____

PROJECT: _____

CONTACT: _____

DATE: _____




NOTES: _____

APPROVAL: _____

Included Accessories

In keeping with our policy of continuing product improvement, Just Mfg reserves the right to change product specifications without notice. Please visit justmfg.com for the most current version of Just Mfg product specification sheets. This specification describes a product with design, quality, and functional benefits to the user. When making a comparison of other producers' offerings, be certain these features are not overlooked.

SPECIFICATIONS

JSFVR5	JSFVR-5 Single Tap Stainless Steel Vandal Resistant Faucet Spec Sheet (PDF)	
JSB10FLX-VR	JSB-10-FLX-VR Flex Classroom Sink Bubbler Stainless Steel Spec Sheet (PDF)	
JADA35SSF	J-ADA-35-SSF Stainless Steel Flat Strainer Spec Sheet (PDF)	

In keeping with our policy of continuing product improvement, Just Mfg reserves the right to change product specifications without notice. Please visit justmfg.com for the most current version of Just Mfg product specification sheets. This specification describes a product with design, quality, and functional benefits to the user. When making a comparison of other producers' offerings, be certain these features are not overlooked.