

**Scrub-up Sink, Wall Mounted
Knee Action Control
Models EWS2520KC and EWS2520
EWS3120KC and EWS3120**

ELKAY®

SPECIFICATIONS

GENERAL

#14 gauge, type 304 (18-8), stainless steel scrub-up sink with 1-3/4" (44mm) radius vertical and horizontal covered corners. 1-1/2" (38mm) rolled rim. Full length 6" (152mm) high back-splash. Exposed surfaces are hand blended to a uniform lustrous satin finish. Underside is sound deadened. Furnished with wall hanger and stainless steel support brackets.

(CHECK MODEL SPECIFIED)

- EWS2520KC
- EWS3120KC

FURNISHED COMPLETE WITH:

SUPPLY: LK397C. Knee action mixing valve with wall mount brackets and mounting package.

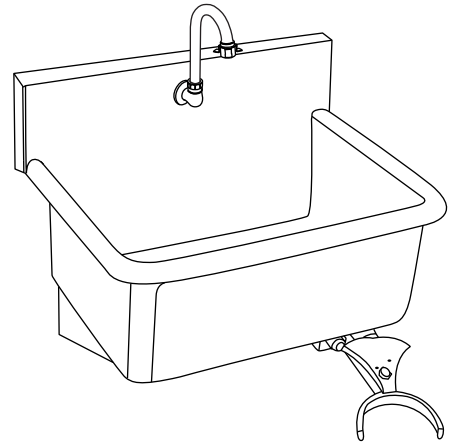
SPOUT: LK395A. Chrome plated 8-1/4" (210mm) high goose-neck spout with AE19A vandal-resistant, anti-hose aerator. (Intermediate piping not included.)

DRAIN: LK18B. Stainless steel perforated strainer grid. 1-1/2" (38mm) O.D. x 4" (102mm) stainless steel tailpiece.

FOLLOWING MODELS DO NOT INCLUDE FAUCETS AND DRAIN:

- EWS2520
- EWS3120

SPECIFY FAUCET DRILLINGS AND LOCATION.



Model EWS2520KC

SEE OTHER SIDE FOR PRODUCT DIMENSIONS.

In keeping with our policy of continuing product improvement, Elkay reserves the right to change product specifications without notice.

This specification describes an Elkay product with design, quality and functional benefits to the user. When making a comparison of other producers' offerings, be certain these features are not overlooked.

ROUGH-IN DIMENSIONS

DIMENSIONS

Model Number EWS2520					
DIMS.	in.	mm	DIMS.	in.	mm
A	25	635	G	7	178
B	19 1/2	495	H	6	152
C	22	559	I	10 1/2	267
D	16	406	J	7/16	11
E	1 1/2	38	K	2 5/8	67
F	12 1/2	318	L	17	432

Model Number EWS3120					
DIMS.	in.	mm	DIMS.	in.	mm
A	31	787	G	7	178
B	19 1/2	495	H	6	152
C	28	711	I	10 1/2	267
D	16	406	J	7/16	11
E	1 1/2	38	K	2 5/8	67
F	15 1/2	394	L	23	584

