

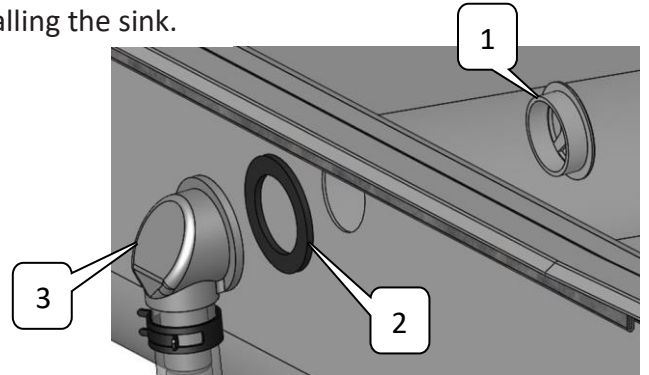
LKF300 Overflow Installation Instructions

Sink 3-1/2" Drain Overflow

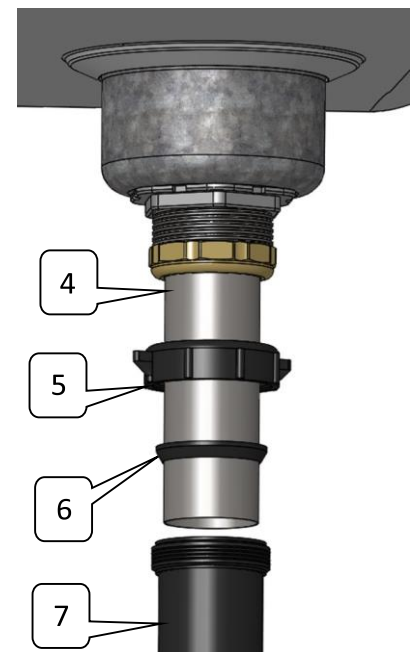
NOTE: Mount *Flexible Overflow Assembly* to sink before installing the sink.

1. Screw the *Overflow Grate* [1] from inside the sink through the *Rubber Washer* [2] and into the *Overflow Elbow* [3]. Ensure *Rubber Washer* [2] is captured on the outside of the sink, then tighten securely.

NOTE: If installing *Flexible Overflow Assembly* into a round bowl, use thinner *Rubber Washer* [2] provided.



2. Install *Branch Tailpiece Assembly* onto the sink drain.
 - a. Slide the *Slip Nut* [5] and the *Beveled Seal* [6] onto the *Drain Tailpiece* [4]. Then slide the *Branch Tailpiece* [7] onto the *Drain Tailpiece* [4].
 - b. Slide down the *Beveled Seal* [6] to the *Branch Tailpiece* [7]. Slide down the *Slip Nut* [5] and screw it onto the *Branch Tailpiece* [7]. Orient the barbed end of the *Branch Tailpiece* [7] to the desired hose routing, then fully tighten *Slip Nut* [5].



3. Route *Flex Tubing* [8] from *Overflow Elbow* [3] to the barbed end of the *Branch Tailpiece* [7]. Ensure *Tubing* is as vertically direct as possible to prevent pooling of water within *Tubing*. Reorient *Overflow Elbow* [3] and *Branch Tailpiece* [7] as necessary and retighten securely.

4. Cut *Flex Tubing* [8] to length, then press into barbed end of the *Branch Tailpiece* [7] and secure with *Hose Clamp* [9].

