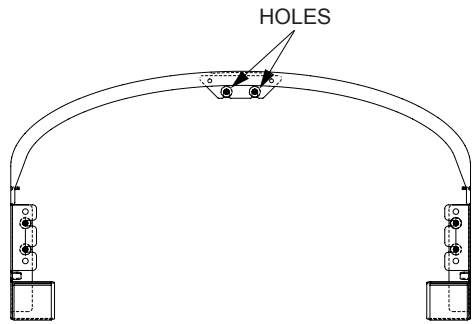


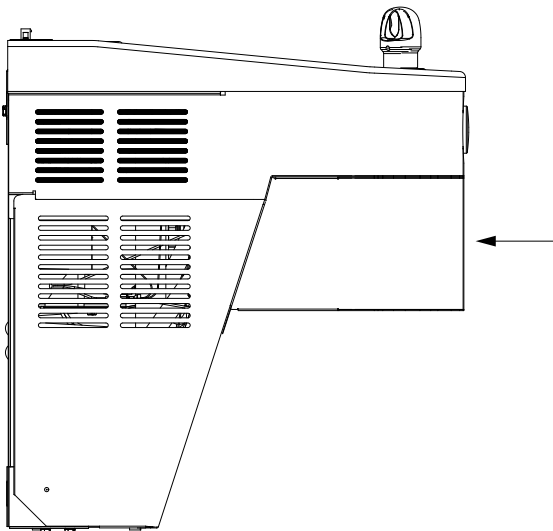
# CANE APRON INSTALLATION

FOR USE ON PRO FILTRATION VR STAINLESS STEEL MODELS



## STEP 1

FASTEN (2) SCREWS INTO HOLES AS SHOWN.

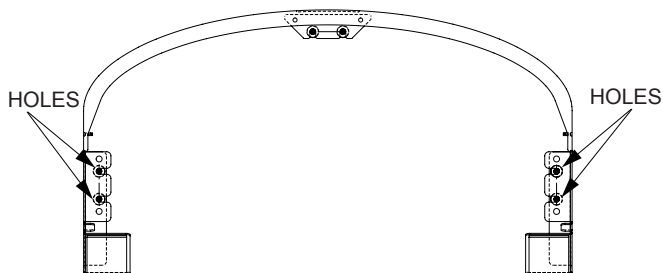


## STEP 2

ALIGN SLOTS ON APRON TO SCREW HEADS.  
PUSH APRON ONTO SCREW HEADS.

## STEP 3

ALIGN SLOTS WITH SCREW HOLES ON COOLER  
AND FASTEN (4) SCREWS.



TO REMOVE:

REMOVE (4) REAR SCREWS ON COOLER AND  
SLIGHTLY LOOSEN (2) FRONT SCREWS ON  
COOLER. SLIDE CANE APRON FORWARD.



2000003312

Patent [zurnelkay.com/patents](http://zurnelkay.com/patents)

PRINTED IN U.S.A.

FOR PARTS, CONTACT YOUR LOCAL DISTRIBUTOR OR CALL 1.800.834.4816

REPAIR SERVICE INFORMATION TOLL FREE NUMBER 1.800.260.6640

ELKAY MANUFACTURING CO. • 1333 BUTTERFIELD ROAD SUITE 200 • DOWNERS GROVE • IL 60515 • USA 630.574.8484 • [www.elkay.com](http://www.elkay.com)

2000003312 (Rev. A - 04/26)