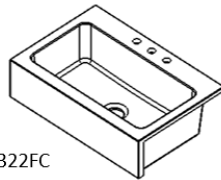
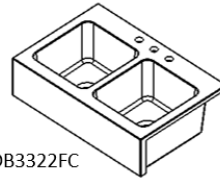


# Elkay Burnham Fireclay Farmhouse Sink Installation Instructions



HDSB3322FC



HDDB3322FC

## ATTENTION INSTALLER: CAREFULLY READ THESE INSTRUCTIONS BEFORE YOU BEGIN

1. **WARNING:** Due to the dimensional variation inherent in the fireclay manufacturing process, sink cutout templates are not provided. Elkay recommends using the actual sink for the countertop cutout.
2. Elkay recommends providing the cabinet maker with the actual sink to be installed prior to cabinet fabrication.
3. It is recommended that you discuss with your customer the desired finished appearance of the sink and countertop installation. Elkay is not responsible for improper sink and/or countertop installations.
4. Elkay is not responsible for the sink or countertop if damaged during installation.
5. Fireclay sinks are heavy, please arrange for assistance to move or position.
6. Follow all local plumbing and building codes.
7. Inspect sink for damage prior to beginning installation.

## STANDARD SINK BASE CABINET INSTALLATION PROFILE

1. Please reference Figure 1 below throughout the installation. However, due to the material every sink is not approximately the same. Please measure and dry fit before making cuts into countertop and installing.  
NOTE: Figure 1 diagram is for reference only.
2. Position sink upside down on a piece of cardboard and trace the perimeter edge of the sink rim (See trace line "A" in Figure 1). Add a second line approx.  $\frac{3}{4}$ " inch inside of that line (See cut line "B" in Figure 1). Cut out the traced template using the second line (line "B"). NOTE: The apron front is designed to extend past the front of the cabinet. Take this measurement before making any cuts. When making the cut-out measurements, accommodate for the apron depth to extend past the cabinet front and align flat against the front.
3. Make cuts to the countertop and cabinet front to accommodate the apron sink using your cut-out template. For a standard sink base cabinet, the front drawer/false front will need to be removed as well as the top header support rail. Please note that notches will need to be cut on the front countertop edge to accommodate a flush-fitting apron front (See notch-out "C" in Figure 1).
4. The Drop-in farmhouse sinks are considered fully supported and properly installed when  $\frac{3}{4}$ " inch or more of the rim is supported on three sides (excluding front apron side).

5. Apply a thick bead 100% silicone around the newly cut edge of the countertop and install sink. Wipe off excess silicone.
6. Allow silicone 24-48 hours to cure before using sink to ensure proper bond.

#### STANDARD SINK BASE CABINET AND COUNTERTOP INSTALLATION PROFILE

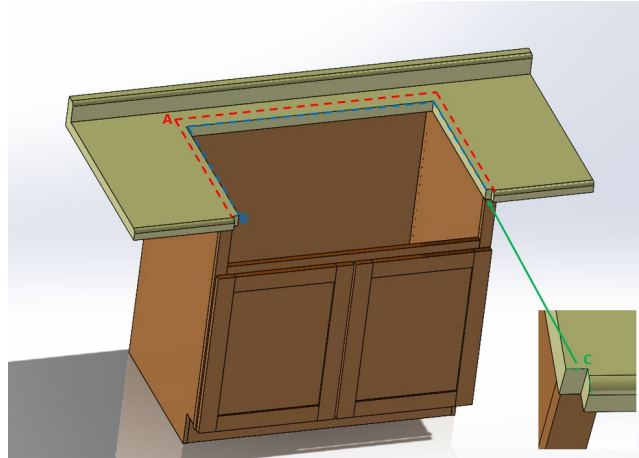


FIGURE 1.

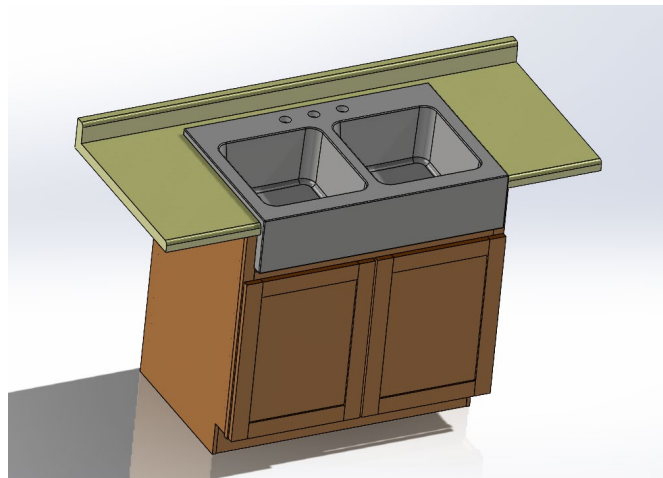


FIGURE 2.