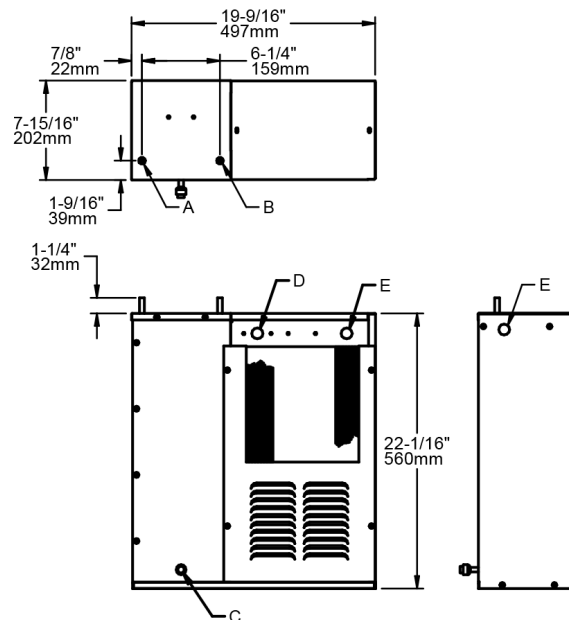


# Installation / Care / Use Manual

Original Instructions

Model : ER52Y

## 230V Refrigeration Package



### LEGEND

A = 3/8" (9.5mm) O.D. TUBE WATER OUTLET

B = 3/8" (9.5mm) O.D. TUBE WATER INLET

C = 3/8" (9.5mm) O.D. TUBE TANK DRAIN

D = TEMPERATURE ADJUSTMENT

E = ELECTRICAL

## Description

Remote Water Chillers are designed to reduce the temperature of potable water that is routed through the water chiller. This chiller is meant to be installed in a properly ventilated, non-visible location.

## Ratings

- Electrical: 230VAC, 50Hz, (See nameplate for Amperage), 1 phase.
- Ambient Air Temperature: 50-100.4 °F (10-38 °C).
- Water Pressure: 20-100 psig (0.14-0.69 MPa).
- Maximum Water Temperature: 90 °F (32 °C).
- Refrigerant: HFC-R134a
- Ingress Protection: IP2x
- For Indoor Commercial Use only.

## Definitions

**DANGER** – Indicates death or serious injury will result if proper precautions are not taken.

**WARNING** – Indicates death, serious injury or property damage can result if proper precautions are not taken.

**CAUTION** – Indicates some injury or property damage may result if proper precautions are not taken.

**Authorized Service Personnel** – Factory trained personnel or personnel having working knowledge of electrical, plumbing and machine (appliance) maintenance procedures.

## Safety

### DANGER

- Please read these instructions completely before starting the installation or performing any service. Failure to follow the instructions and safety precautions in this manual can result in serious injury or death.
- After installation, keep these instructions in a safe location for future reference.
- Electric supply must be identical in voltage, cycle, and phase to that specified on nameplate.
- A means for disconnecting electrical supply to the unit must be incorporated in the fixed wiring in accordance with wiring rules. This is to allow electrical disconnection of the unit from electrical supply after installation.

### WARNING

- For use with clean, clear potable drinking water only. Do not use with water that is microbiologically unsafe or of unknown quality without adequate disinfection before the system.
- Installation and connection to water and electrical mains must be in compliance with local and national laws.
- All Installation and Service work must be performed by an authorized service personnel.

### CAUTION

- This appliance can be used by children aged from 8 years and above and persons with reduced physical, sensory, or mental capabilities or lack of experience and knowledge if they have been given supervision or instructions concerning use of the appliance in a safe way and understand the hazards involved. Children shall not play with the appliance. Cleaning and user maintenance shall not be made by children without supervision.
- To prevent a metallic taste or increased metal content in the water due to an electrolysis process caused by electrical feedback from the grounding of electrical equipment to water mains, connect to the water mains using a dielectric coupling.

## Installation

For correct and safe installation, please read these instructions completely.

### DANGER

- All Installation work must be performed by an authorized service personnel.
- Disconnect electrical supply serving the Installation area to reduce risk of electrocution.
- Unit not suitable for installations where water jets could be used.

### WARNING

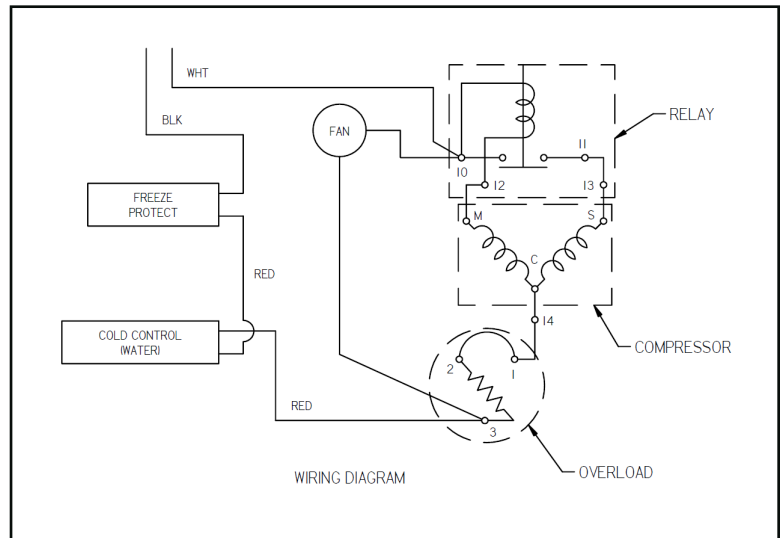
- Shut off water supply serving the Installation area to reduce risk of water damage.
- Installation area must have minimum required clearances and ventilation for safe operation.
- Never wire compressor directly to electrical supply.

### CAUTION

- Hose-sets are not to be used for connecting to water mains.
- Tools/Items required but not provided.
  - o Safety Glasses
  - o Protective Gloves
  - o 1/4" (6.4mm) Socket Wrench or Flat Head Screwdriver
  - o Water Shut-off Valve
  - o Fasteners for wall type.

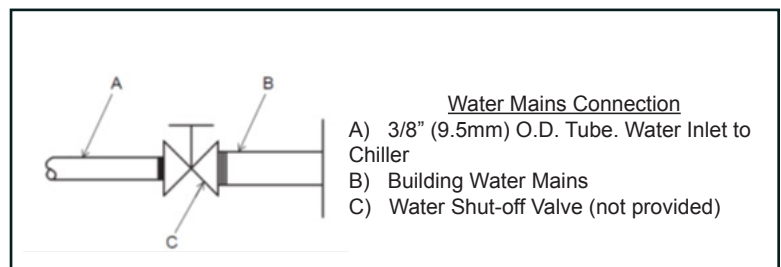
## Installation Steps

1. It is important to insure proper ventilation. For remote installation a minimum clearance of 6 inches (152 mm) to the front must be maintained, 1 inch (25 mm) each side, 3 inches (76 mm) to the rear above the unit. Wall grille EG-1 or EG-2 to be used when unit is inserted into an enclosure. Install unit as close as possible to wall grille. A 6 inch (152 mm) clearance beyond the front of the wall grille is required for adequate air circulation.
2. This chiller has been designed for use with potable water and includes an o-ring seal on the drain plug. This fitting should be replaced if the unit is to be used with more aggressive fluids.
3. Connecting lines to be made of copper. Thoroughly flush all lines to remove all foreign matter before connecting to cooler. If flushing does not remove all particles, a water strainer should be installed in the supply line.
4. Connect cooler to building supply with a shut-off valve and install a union connection between the valve and the cooler.
5. For use with photo processing applications, adjust thermostat to warmer settings.



## Wiring Instructions

1. Turn off electrical supply to chiller circuit
2. Remove top cover to gain access to electrical box
3. Join electrical wire to unit using 3/8" cable clamp connector or appropriate conduit connector
4. Connect ground wire to ground screw (provided)
5. Connect black wire to 230VAC
6. Connect white wire to Neutral line
7. Replace top cover



## Start-Up

1. Open water shut-off valve
2. Purge air from all water lines by operating bubbler valve of fountain to which chiller is connected. Steady water stream assures all air is removed
3. Rotate fan to insure proper clearance and free fan action
4. Turn on electrical supply

**Service**

For proper and safe servicing, please read these instructions completely.

**DANGER**

- All Service and Maintenance must be performed by an authorized service personnel.
- Disconnect electrical supply to the unit before any service work to reduce risk of electrocution.
- Shut off water supply serving the unit before any service work to reduce risk of water damage.

**CAUTION**

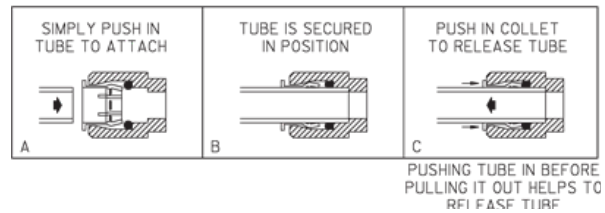
- Tools/Items required but not provided, for Servicing:
  - o Safety Glasses
  - o Protective Gloves
  - o 1/4" (6.4mm) Socket Wrench or Flat Head Screwdriver

**Service: Adjustments**

1. **Temperature Control:** Factory set for 50°F ± 5° (10°C ± 5°) water under normal conditions. To adjust water temperature, turn screw on Item No. 14 clockwise for colder, counter clockwise for warmer.

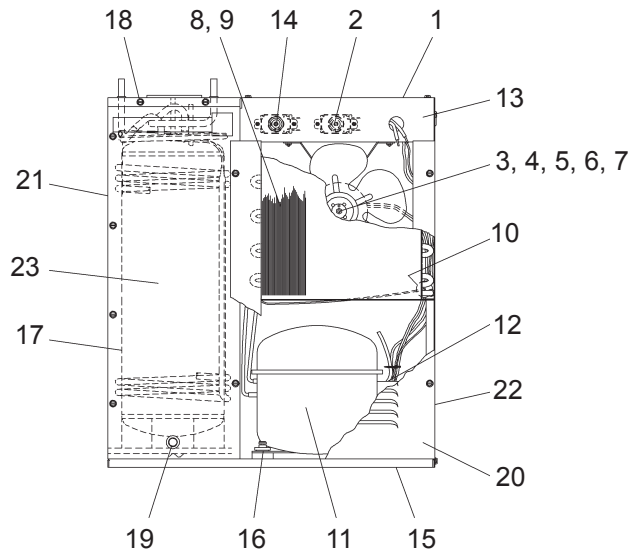
**Service: Inspection/Cleaning**

- Inspect Water Chiller twice each year for proper operation and performance.
  - Inspection of the unit will require disconnecting electrical supply, removal of panels, etc. and reassembly and return to service practices.
2. **Condenser Fan Motor:** Confirm condenser fan turns freely. If the condenser fan does not spin freely, have an authorized service personnel replace.
  3. **Ventilation:** Cabinet louvers and condenser fins should be periodically cleaned with a brush, air hose or vacuum cleaner. Cleaning should be done twice each year or more frequently if needed due to environment. Excess dirt or poor ventilation can cause no cold water and compressor cycling on the compressor overload protector.
  4. **Water Flow:** Confirm proper water flow. If water flow is slow, inspect filter or inline strainer for restriction. Replace filter cartridge if required. Disassemble inline strainer and clean if required.
  5. **Lubrication:** Motors are lifetime lubricated.
  6. **Actuation of Quick Connect Water Fittings:** Chiller is provided with lead-free plug which utilizes an o-ring seal. To remove plug from Chiller, relieve water pressure, pull the collar towards the fitting and pull the fitting off the tube. To install plug, push fitting straight onto tubing until it reaches a positive stop, approximately 3/4" (19mm).



**Replacement Parts: Parts List**

ITEM NO.	PART NO.	DESCRIPTION
1	27666C	Cover - Terminal Box
2	31513C	Control - Freeze Protect
3	31430C	Motor - Fan
4	30664C	Fan - Blade
5	20282C	Fan - Bracket
6	70018C	Fan - Nut
7	70009C	Screw - Motor Mounting
8	66303C	Condenser
9	50189C	Shroud
10	66201C	Drier
*11	36243C	Compr. Serv Pak
12	98748C	Kit - Electrical (Relay/Cover/Overload)
13	27667C	Terminal Box Assy
14	35882C	Control - Cold
15	28399C	Base Assy
16	0000000255	Kit - Compr Mtg Hdwe/Grommets/Clips/Studs
17	66754C	Evaporator - Assy
18	27665C	Cover - Insulation Box
19	70772C	Drain Plug
20	27669C	Grille - Front
21	27663C	Panel - Insul Box (Rear)
22	28400C	Panel - End
23	27664C	Box - Insulation (Front)
NS	27668C	Grille - Rear (Not Shown)



For Replacement Parts, contact your local distributor or visit our website [www.HalseyTaylor.com](http://www.HalseyTaylor.com)

*Halsey Taylor*, 2222 Camden Court – Oak Brook, IL 60523 U.S.A – 630.574.3500