

### PRODUCT SPECIFICATIONS

OBS - REFER TO ERPBM8K. Sink is manufactured from Stainless Steel with a Stainless Steel (S) finish, .

<b>Material:</b>	Stainless Steel
<b>Special Features:</b>	Energy Savings
<b>Finish:</b>	Stainless Steel (S)
<b>Sink Dimensions:</b>	19-3/4" x 19" x 40-13/16"



**Included with Product:** Fountain, Chiller, Mounting Frame

▼ **Ships in multiple boxes.**

A Century of Tradition and Quality.

For more than 100 years, Elkay has been making innovative products and providing exceptional customer care. We take pride in offering plumbing products that make life easier, inspire change and leave the world a better place.



Complies with ADA & ICC A117.1 accessibility requirements when installed according to the requirements outlined in these standards.

[Installation Instructions \(PDF\) - 98663C](#)

[Installation Instructions \(PDF\) - 97924C](#)

[Installation Instructions \(PDF\) - 97153C](#)

[Warranty \(PDF\)](#)

PART: \_\_\_\_\_ QTY: \_\_\_\_\_

PROJECT: \_\_\_\_\_



CONTACT: \_\_\_\_\_

DATE: \_\_\_\_\_

NOTES: \_\_\_\_\_

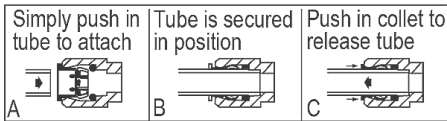
APPROVAL: \_\_\_\_\_

*In keeping with our policy of continuing product improvement, Elkay reserves the right to change product specifications without notice. Please visit [elkay.com](http://elkay.com) for the most current version of Elkay product specification sheets. This specification describes an Elkay product with design, quality, and functional benefits to the user. When making a comparison of other producers' offerings, be certain these features are not overlooked.*

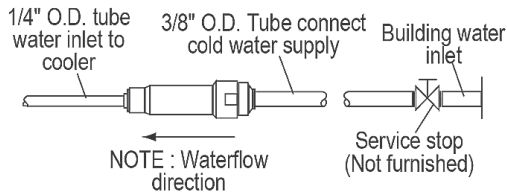
<p><a href="#">EWF172</a></p>	<p>Universal Filtration Kit (1500-Gallon) <a href="#">Spec Sheet (PDF)</a></p>	
<p><a href="#">98481C</a></p>	<p>Bubbler Kit Water-Efficient Vandal-Resistant <a href="#">Spec Sheet (PDF)</a></p>	

*In keeping with our policy of continuing product improvement, Elkay reserves the right to change product specifications without notice. Please visit [elkay.com](http://elkay.com) for the most current version of Elkay product specification sheets. This specification describes an Elkay product with design, quality, and functional benefits to the user. When making a comparison of other producers' offerings, be certain these features are not overlooked.*

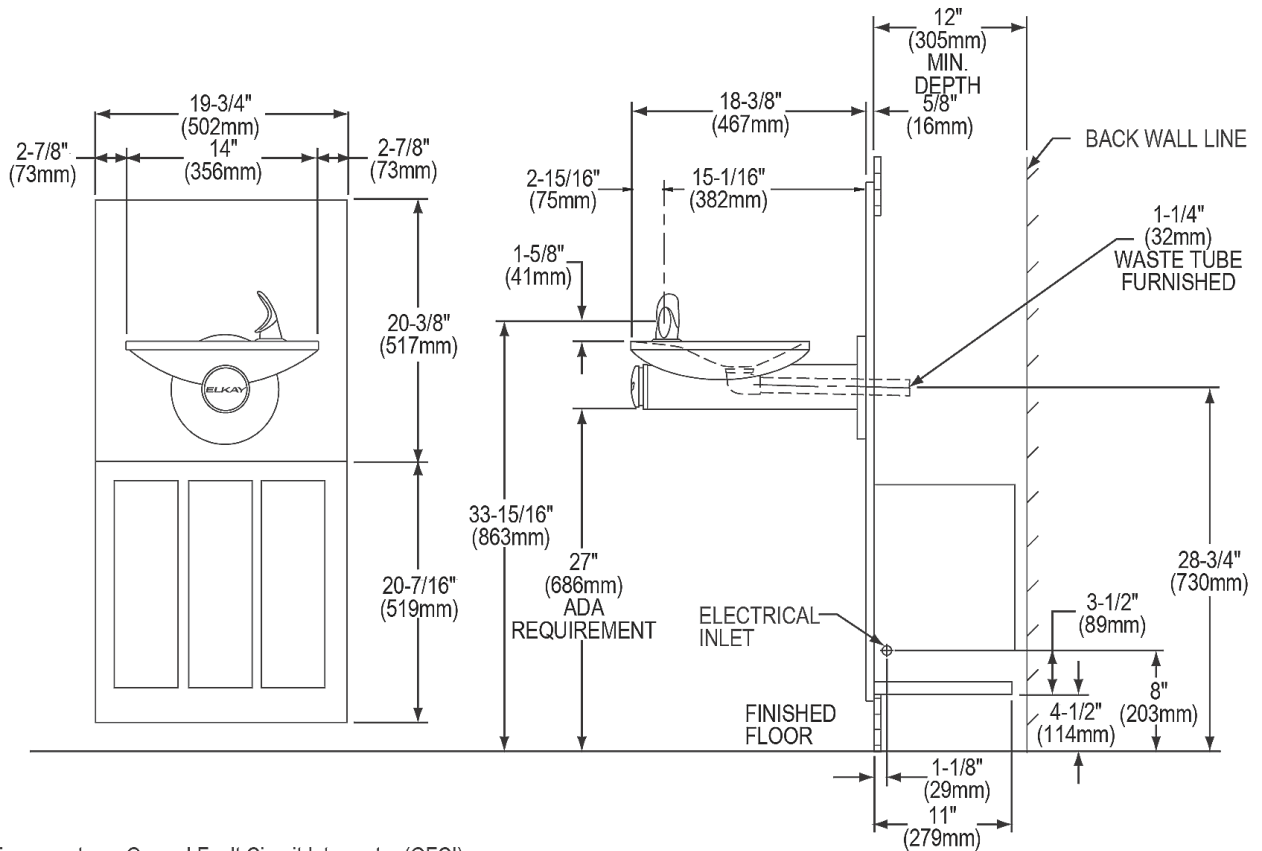
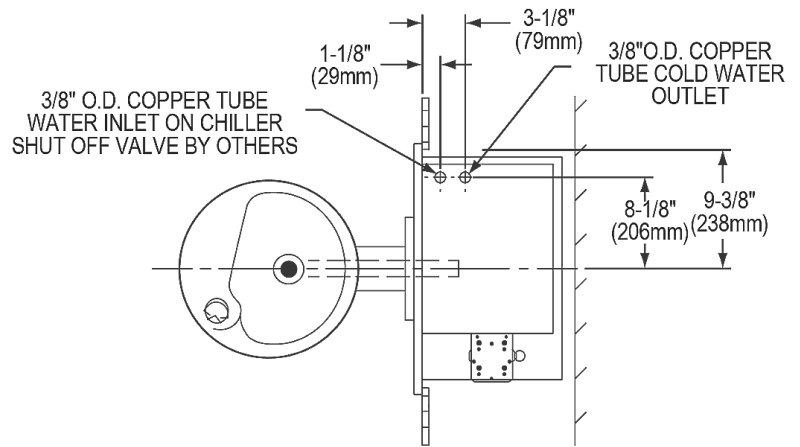
### OPERATION OF QUICK CONNECT FITTINGS



Pushing tube in before pulling it out helps to release tube



NOTE: Waterflow direction



NOTE: New installations must use Ground Fault Circuit Interrupter (GFCI).

In keeping with our policy of continuing product improvement, Elkay reserves the right to change product specifications without notice. Please visit [elkay.com](http://elkay.com) for the most current version of Elkay product specification sheets. This specification describes an Elkay product with design, quality, and functional benefits to the user. When making a comparison of other producers' offerings, be certain these features are not overlooked.